



G



S

MOTOR APPEARANCE STYLE



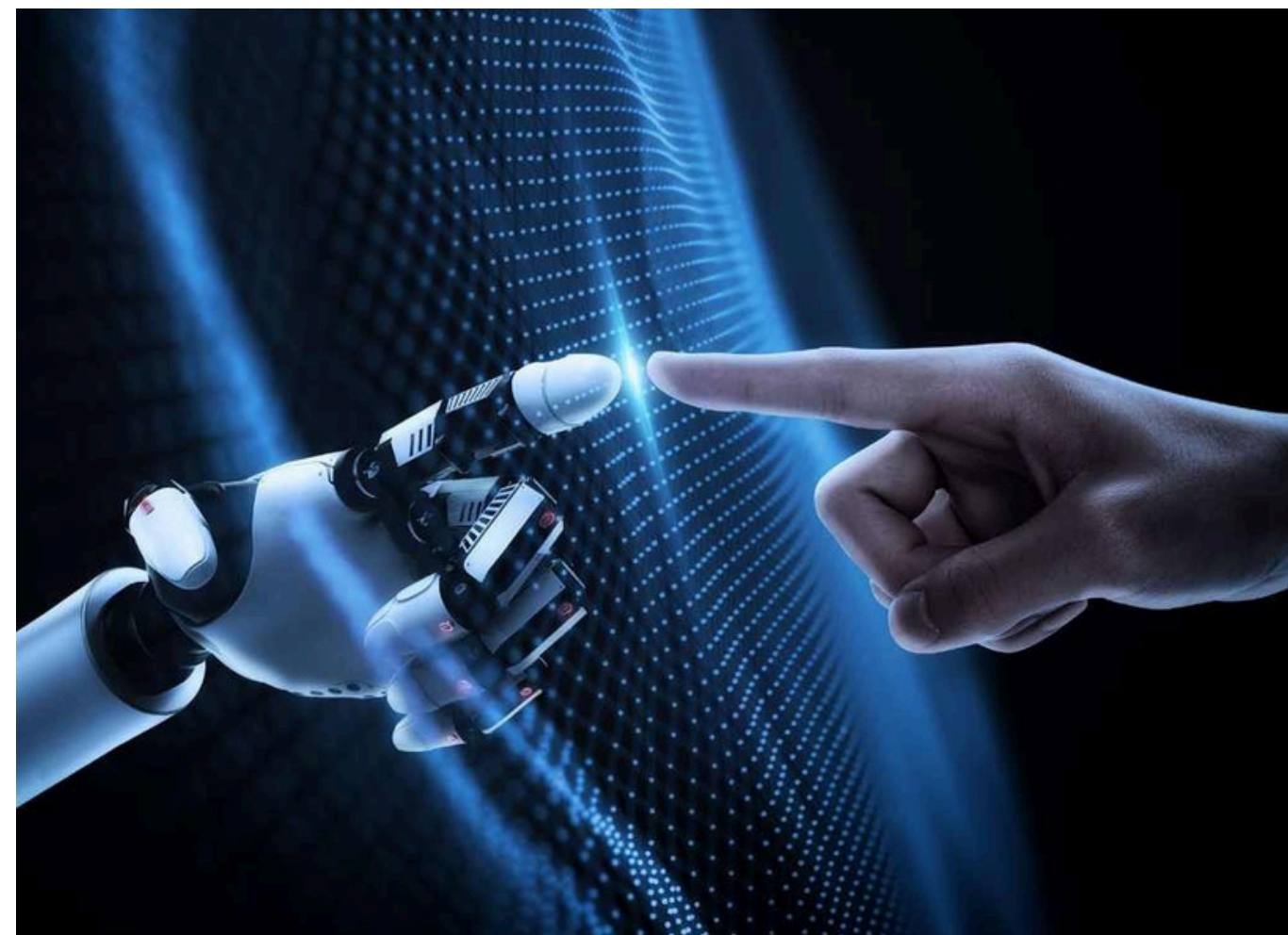
Q



F



W



PROFESSIONAL DEVELOPMENT AND PRODUCTION

Taizhou Westone Machinery&Electric Co.,Ltd. is located in Shitang Town, Wenling City, the first ray of dawn in the new millennium, the Eastern Cape of Good Hope. With Shitang Mountain as the screen in the northwest, surrounded by the sea on three sides, it has a unique coastal scenery. The company is 45 kilometers away from Wenling Railway Station and 40 kilometers away from Taizhou Luqiao Airport. It is connected to coastal highway S012 and provincial highways S324 and S225 in the north, and the traffic is convenient. Our company has been established for more than 20 years, it has continuously invested a lot of money, introduced advanced production equipment and various high-precision testing equipment, effectively guaranteed the development and production of new products, and accumulated rich experience.

Westone company now produces various high efficiency energy saving pumps, rotor-shielded circulation pumps, wall-hung boiler pumps, booster pumps, more than 100 models included. With an annual output more than 2 million units, Westone pumps have good market and receive extensive reliance all over the world.

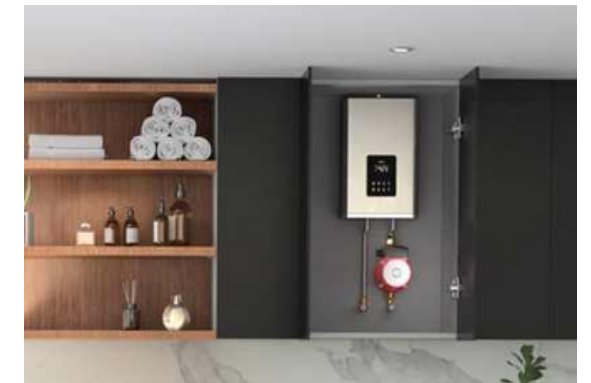
01 RS 系列循环泵
RS SERIES CIRCULATION PUMP



02 T&F 法兰循环泵
T&F SERIES CIRCULATION PUMP



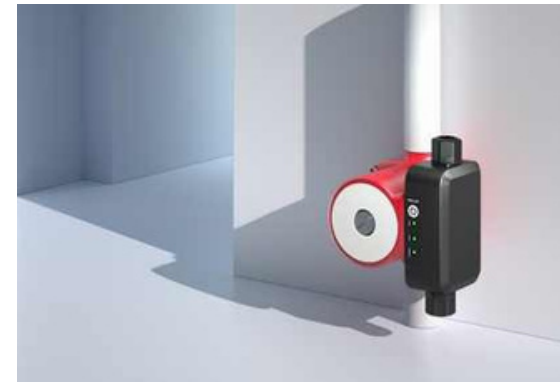
03 PA 系列自动增压泵
PA SERIES AUTOMATIC BOOSTER PUMP



04 QRS 系列循环增压泵
QRS SERIES CIRCULATION & BOOSTER PUMP



05 BP 系列变频泵
BP SERIES VARIABLE FREQUENCY PUMP

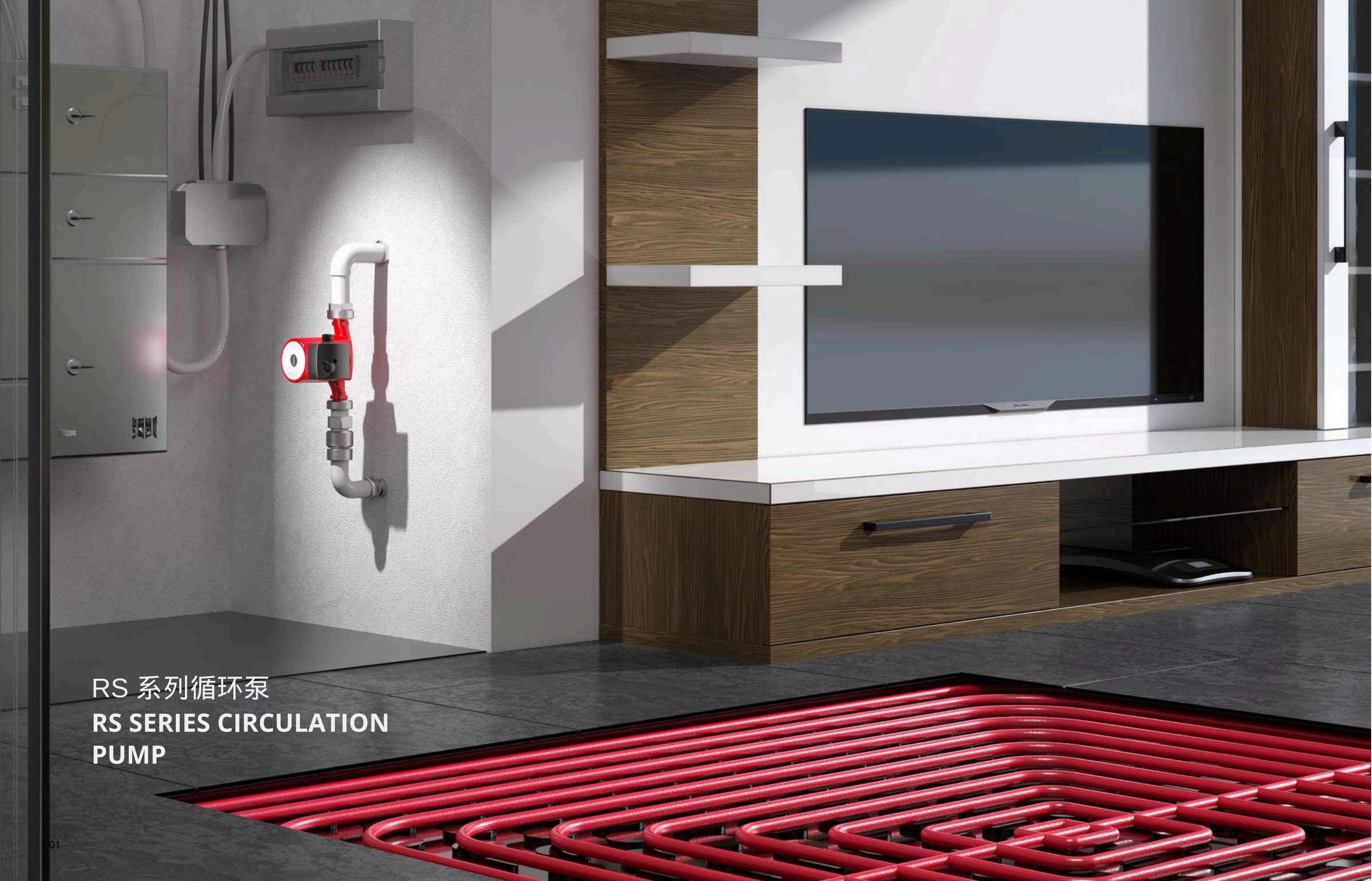


06 BP&ZBP 系列变频恒压泵
BP & ZBP SERIES VARIABLE FREQUENCY CONSTANT PRESSURE PUMP



07 自动增压泵
AUTOMATIC BOOSTER PUMP





RS 系列循环泵
RS SERIES CIRCULATION
PUMP



APPLICATION

- ◆ City apartment
- ◆ Villa
- ◆ Return pipe system
- ◆ Underfloor heating systems and hot water circulation
- ◆ Circulation of fluids in cooling and air conditioning systems
- ◆ Boiler solar water supply
- ◆ Water mixing system

PERFORMANCE

型号 Model	功率 Power (W)	最大流量 Max. Flow (L/min)	最高扬程 Max. Head (m)	额定流量 Rated Flow (L/min)	额定扬程 Rated Head (m)	接口尺寸 Con- nection Size (Inch)	电机壳外观 Motor housing design				泵体材质 Pump Body Material		
							W	G	F	S	铸铁 Cast iron	铜 Brass	
RS15/40-130	72	38	4	15	2.5	¾"→½"	•	•	•	•	•	/	
RS20/40-130						1"→¾"	•	•	•	•	•	•	
RS25/40-130		48				1½"→1"	•	•	•	•	•	•	•
RS32/40-130						2"→1¼"	•	•	•	•	•	•	/
RS15/60-130	100	43	6	25	4	¾"→½"	•	•	•	•	•	/	
RS20/60-130						1"→¾"	•	•	•	•	•	•	•
RS25/60-130		55				1½"→1"	•	•	•	•	•	•	•
RS32/60-130						2"→1¼"	•	•	•	•	•	•	/
RS15/90-140	120	30	9	10	6	¾"→½"	/	•	•	•	•	/	
RS25/70-130						70	1½"→1"	•	•	•	•	•	•
RS32/70-130		2"→1¼"					•	•	•	•	•	•	/

PERFORMANCE

型号 Model	功率 Power (W)	最大流量 Max. Flow (L/min)	最高扬程 Max. Head (m)	额定流量 Rated Flow (L/min)	额定扬程 Rated Head (m)	接口尺寸 Con- nection Size (Inch)	电机壳外观 Motor housing design					泵体材质 Pump Body Material	
							W	G	F	S	Q	铸铁 Cast iron	铜 Brass
RS25/40	72	57	4.5	15	2.5	1½"→1"	•	•	•	•	/	•	•
RS32/40						2"→1¼"	•	•	•	•	/	•	/
RS25/60	100	65	6	25	4	1½"→1"	•	•	•	•	/	•	•
RS32/60						2"→1¼"	•	•	•	•	/	•	/
RS25/70	120	70	7	25	5	1½"→1"	•	•	•	•	/	•	•
RS32/70						2"→1¼"	•	•	•	•	/	•	/
RS25/70 PRO		80		40	1½"→1"	•	/	/	/	/	•	/	
RS25/80	248	120	8	60	4.5	1½"→1"	/	•	/	•	•	•	/
RS32/80		170		70	5	2"→1¼"	/	•	/	•	•	•	•
RS20/120	248	60	12	25	9.5	1"→¾"	/	•	/	•	/	•	•
RS25/120		65			10	1½"→1"	/	•	/	•	/	•	/
RS40/80-200F	170	8	70	6	DN40	/	•	/	/	/	•	/	
RS20/80-160	205	80	8	40	6	1"→¾"	•	/	/	/	/	•	/
RS25/80-160		90			7	1½"→1"	•	/	/	/	/	•	/
RS25/90	235	120	9	50	6	1½"→1"	•	/	/	/	/	•	/
RS32/90		135			6.5	2"→1¼"	•	/	/	/	/	•	/
RS25/100	305	125	10	50	6.5	1½"→1"	•	/	/	/	/	•	/
RS32/100		140			7	2"→1¼"	•	/	/	/	/	•	/
RS20/150	305	70	15	30	11	1"→¾"	•	/	/	/	/	•	•
RS25/150		75			1½"→1"	•	/	/	/	/	•	/	

T&F 系列循环泵

T&F SERIES CIRCULATION PUMP

低噪 □

□ □ □

耐磨

□ □ □

LOW NOISE

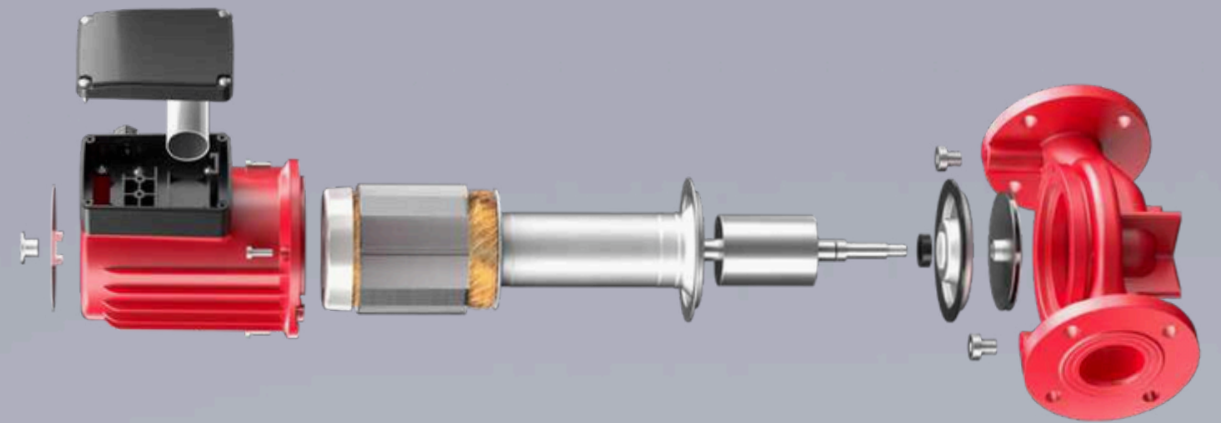
NO LEAKAGE

WEAR RESISTANCE

LONG LIFE



100% 铜线电机、低音环保、强劲动力
100% COPPER WIRE MOTOR, LOW NOISE, ENVIRONMENTALLY PERMITTED, STRONG POWER



适用场景

- ◆ 城 ◆ 别墅
- ◆ 地热 统和热水 环
- ◆ 统和 调 统里的 体 环
- ◆ 锅 太阳 供水

APPLICATION

- ◆ City apartment
- ◆ Villa
- ◆ Underfloor heating systems and hot water circulation
- ◆ Circulation of fluids in cooling and air conditioning systems
- ◆ Boiler solar water supply

CIRCULATION PUMP



技术参数 PERFORMANCE

型号 Model	功率 Power (W)	最大流量 Max.Flow (L/min)	最高扬程 Max.Head (m)	额定流量 Rated Flow (L/min)	额定扬程 Rated Head (m)	口径 DN
T25/370	370	120	11	50	8.5	1 1/2" → 1"
T32/370	550	130	11	66	7.5	2" → 1 1/4"
T25/550		125	13.5	80	8.5	1 1/2" → 1"
T32/550	550	150	13	100	7.5	2" → 1 1/4"
F40/370	370	130	11	55	8	DN40
F40/550		140	12	67	10	DN40
F40/750	550	155	18	83	12.5	DN40
F40/1100	750	215	20	116	14	DN40
F40/1500	1100	240	20	140	14	DN40
F50/750	1500	300	12	167	9	DN50
F50/1100	750	400	15	233	10	DN50
F50/1500	1100	480	14	255	9	DN50
F65/1100	1500	450	13	245	10	DN65
F65/1500	1100	520	12	260	9	DN65
F65/2200	1500	600	13	300	9	
	2200					DN65

注：所有数据默认为 220V/50Hz
 All parameters under 220V/50Hz

T—螺纹接口 T—Threadports
 F—法兰接口 F—Flange ports

CIRCULATION PUMP

DIN STANDARD
 FLANGE CONNECTIONS

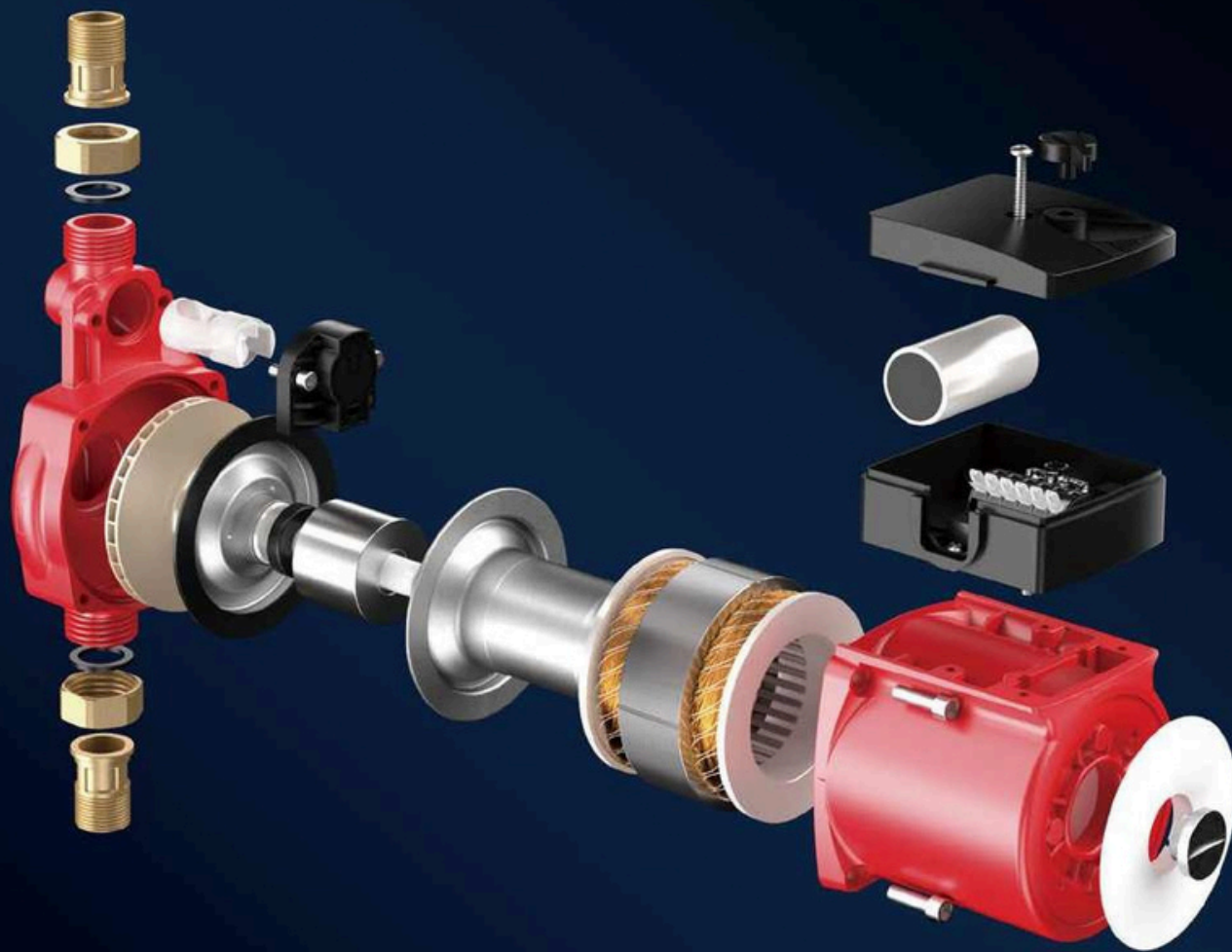


技术参数 PERFORMANCE

型号 Model	功率 Power (W)	最大流量 Max.Flow (L/min)	最高扬程 Max.Head (m)	额定流量 Rated Flow (L/min)	额定扬程 Rated Head (m)	口径 DN
F40/370 PRO	370	130	11	55	8	DN40
F40/550 PRO	550	140	12	90	10	DN40
F40/750 PRO	750	155	18	67	12.5	DN40
F40/1100 PRO	1100	215	20	116	14	DN40
F40/1500 PRO	1500	240	20	140	14	DN40
F50/750 PRO	750	300	12	167	9	DN50
F50/1100 PRO	1100	400	15	233	10	DN50
F50/1500 PRO	1500	480	14	255	9	DN50
F65/1100 PRO		450	13	245	10	DN65
F65/1500 PRO	1100	520	12	260	9	DN65
F65/2200 PRO	1500	600	13	300	8	DN65
F80/1100 PRO	2200	500	12	350	9	DN80
F80/1500 PRO	1100	560	12	350	9	DN80
F80/2200 PRO	1500	600	12	400	10	DN80
	2200					

PA SERIES
AUTOMATIC
BOOSTER PUMP
PA 系列自动增压泵





产品优势 PRODUCT ADVANTAGES

- ◆ 智水感应系统,用水启动,关水机; ◆ 运行静音水泵噪音于45分贝; ◆ 整机动小止路共;
- ◆ Intelligent water flow sensing system, start with water and stop when water is turned off;
- ◆ Low-noise operation and quiet experience, the noise of the pump is less than 45 decibels;
- ◆ The vibration of the whole machine is small to prevent the resonance of the pipeline;

工作条件 WORKING CONDITIONS

- ①介质温:温型(0°C~+100°C)
- ②环温:≤40°C
- ①Medium temperature: high temperature type (0°C~+100°C)
- ②Ambient temperature: ≤40°C

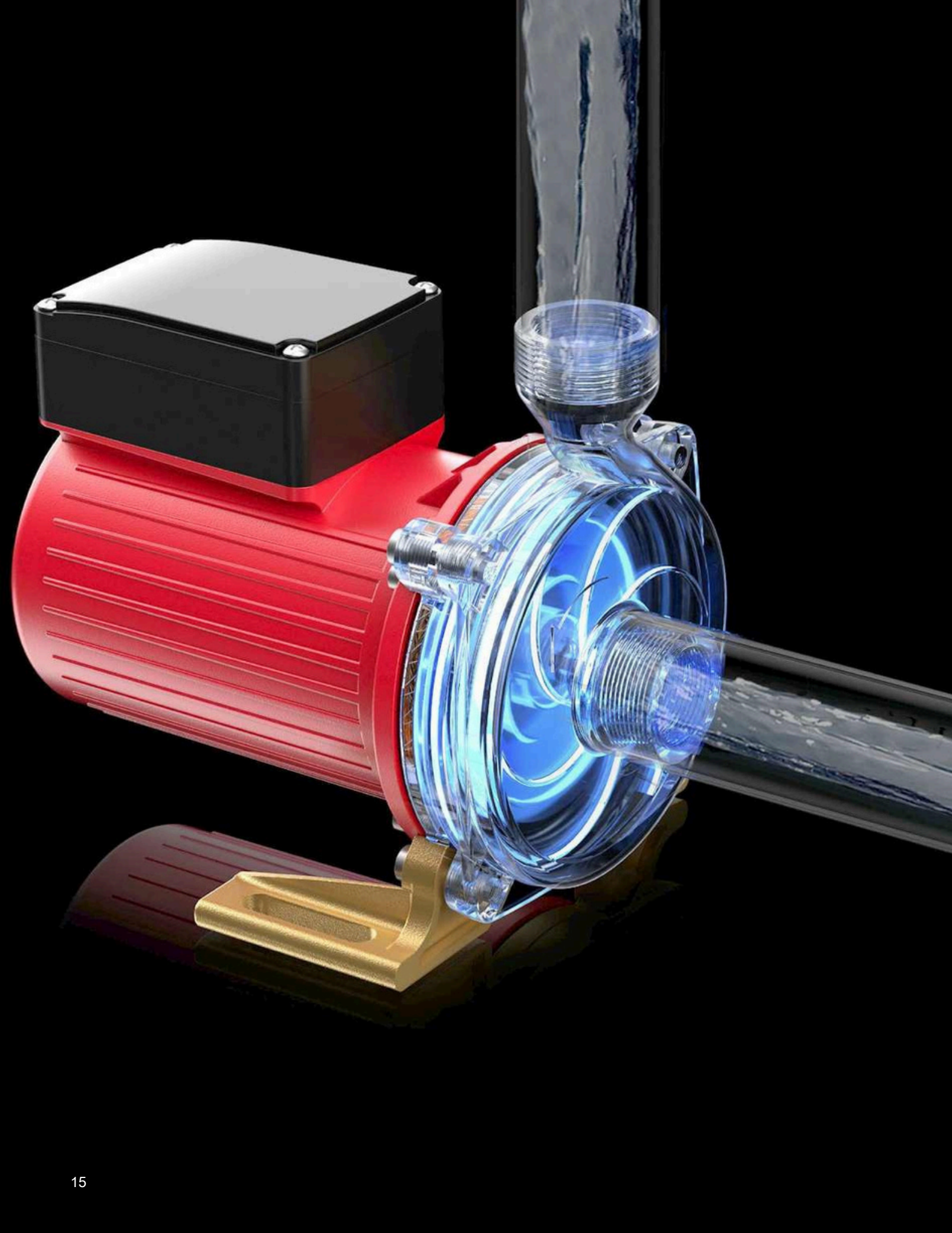
技术参数 PERFORMANCE

型号 Model	功率 Power (W)	最大流量 Max. Flow (L/min)	最高扬程 Max. Head (m)	额定流量 Rated Flow (L/min)	额定扬程 Rated Head (m)	接口尺寸 Connection Size (Inch)	电机壳外观 Motor housing design				泵体材质 Pump Body Material	
							W	G	Q		铸铁 Cast iron	铜 Brass
PA15/90	120	30	9	10	6.5	3/4"→1/2"	•	•	•	•	•	•
PA15/110	135	30	11	10	7.5		•	/	/	•	•	•
PA15/120	150	30	12	10	9		•	/	•	•	•	•
PA20/120	248	60	12	25		1"→3/4"	/	•	•	•	•	
PA20/150	305	60	15	30	11		/	/	/	•	•	•





QRS 系列循环增压泵
QRS SERIES CIRCULATION
& BOOSTER PUMP



适用场景

- ◆城 ◆ 别墅 ◆住 供水 压 ◆地热 统和热水 环 ◆ 统和 调 统里的 体 环
- ◆锅 太阳 供水

APPLICATION

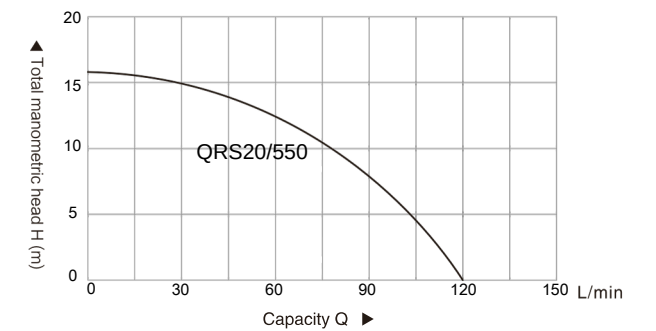
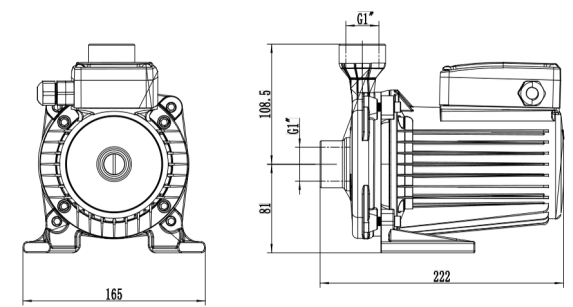
- ◆City apartment
- ◆Villa
- ◆Boosting for home water supply
- ◆Underfloor heating systems and hot water circulation
- ◆Circulation of fluids in cooling and air conditioning systems
- ◆Boiler solar water supply

产品概述

环泵有噪音、漏、环保节、形美观、便运行可等点。

PRODUCT OVERVIEW

The circulating pump has the advantages of low noise, no leakage, environmental protection and energy saving, beautiful appearance, convenient installation and reliable operation.

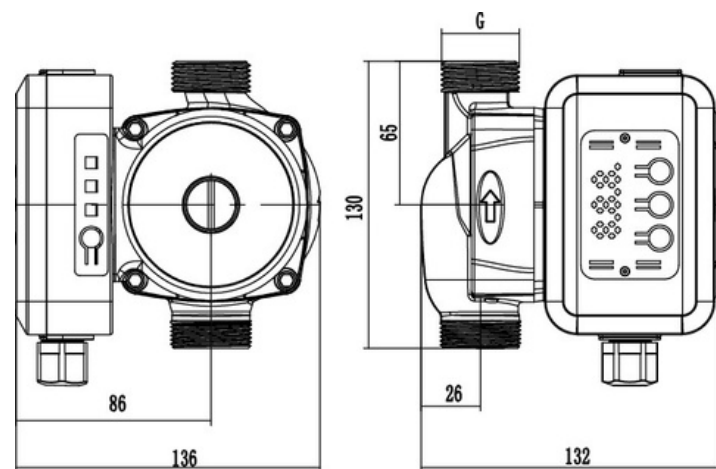
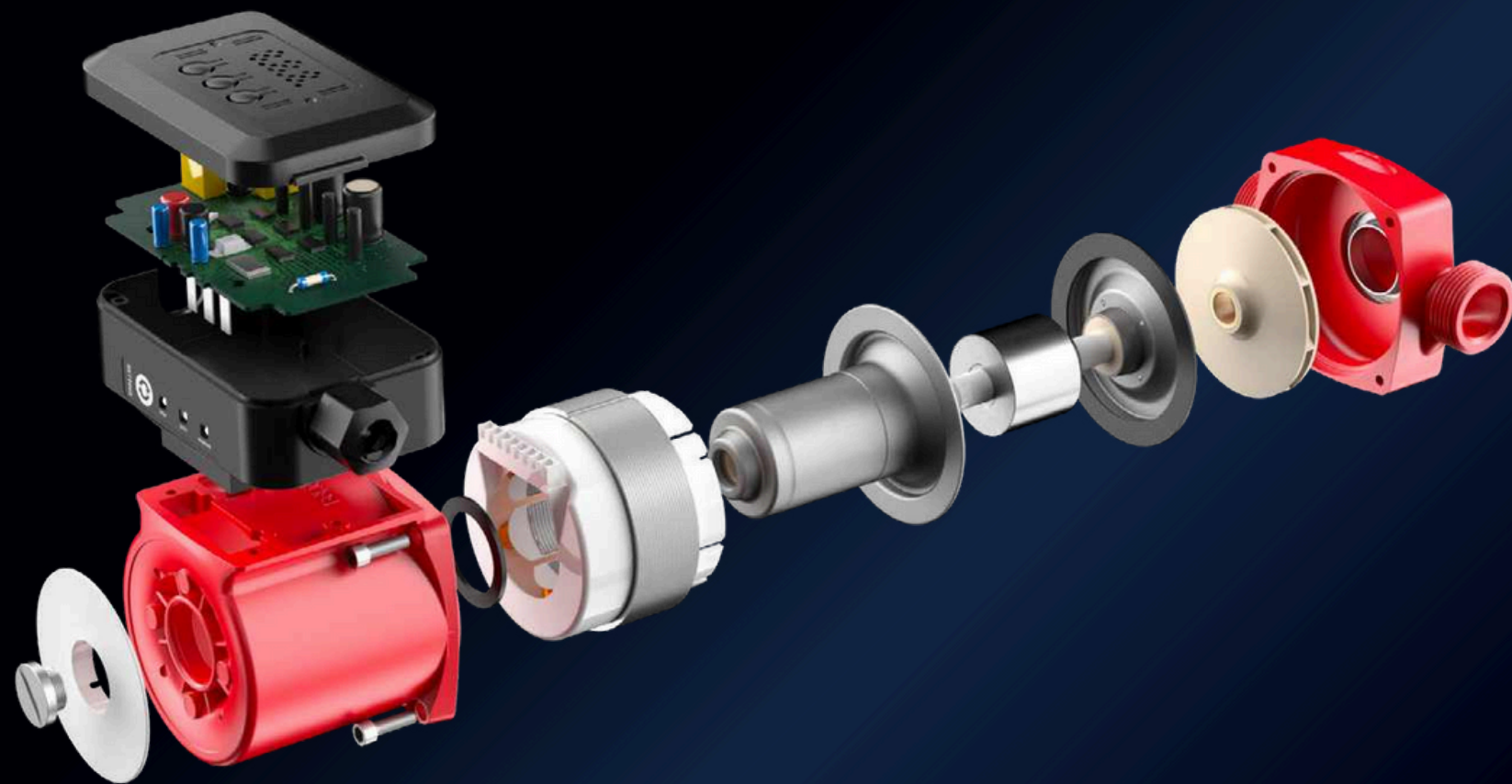


技术参数 PERFORMANCE

型号 Model	功率 Power	最大流量 Max.Flow	最高扬程 Max.Head	额定流量 Rated Flow	额定扬程 Rated Head	接口尺寸 Connection Size	泵体材质 Pump Body Material	
							铸铁 Cast iron	铜 Brass
QRS20/550	550	120	16	50	12	1"	•	•

- 注：①“•”代表可生产，“/”代表无法生产
 ②所有数据默认为 220V/50Hz
 ①“•”- Available, “/”- Unavailable
 ②All parameters under 220V/50Hz

BP系列变频增压泵 BP SERIES VARIABLE FREQUENCY BOOSTER PUMP



产品优势 PRODUCT ADVANTAGES

- ◆ 智水感应系统,用水启动,关水机;
- ◆ 噪运行静体验水泵噪音于45分贝;
- ◆ 永电机相普通电机,体积更小,节66%;
- ◆ 启动电小,维护工作量小;
- ◆ 整机动小止路共。
- ◆ Intelligent water flow sensing system, start with water and stop when water is turned off;
- ◆ Low-noise operation and quiet experience, the pump noise is less than 45 decibels;
- ◆ Compared with ordinary motors, the permanent magnet motor is smaller in size and saves 66% of energy;
- ◆ The starting current is small, and the maintenance workload is small;
- ◆ The vibration of the whole machine is small to prevent the resonance of the pipeline.

技术参数 PERFORMANCE

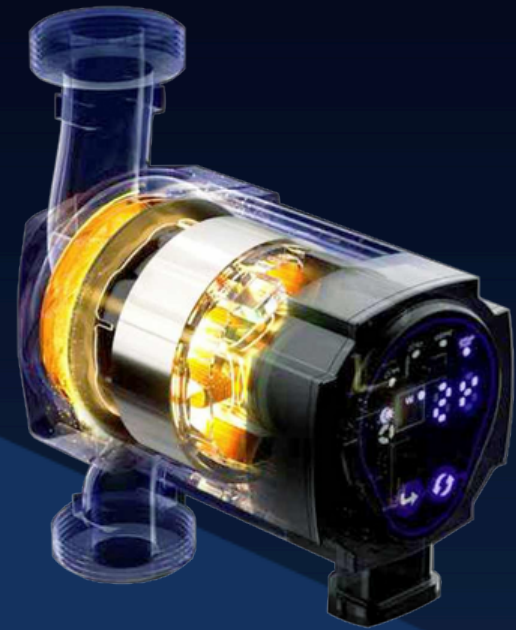
型号 Model	功率 Power (W)	最大流量 Max.Flow (L/min)	最高扬程 Max.Head (m)	额定流量 Rated Flow (L/min)	额定扬程 Rated Head (m)	接口尺寸 Connection Size (Inch)	电机壳外观 Motor housing design		泵体材质 Pump Body Material	
							G	Q	铸铁 Cast iron	铜 Brass
BP15-180	120	40	18.5	25	8	3/4" → 1/2"	•	•	•	•
BP20-150						1" → 3/4"	•	•	•	•
BP25-150						1 1/2" → 1"	•	•	•	•
		75	14	25	8					

注: ①“•”代表可生产, /”代表无法生产
② 所有数据默认为 220V/50Hz
①“•”- Available, “/”- Unavailable
② All parameters under 220V/50Hz

ErP

EE<0.23

BP系列变频循环泵
BP SERIES VARIABLE FREQUENCY
CIRCULATION PUMP



适用场景

- ◆ 城
- ◆ 别墅
- ◆ 回水 统
- ◆ 地热 统和热水 环
- ◆ 统和 调 统里的 体 环
- ◆ 锅 太阳 供水
- ◆ 水 统

APPLICATION

- ◆ City apartment
- ◆ Villa
- ◆ Return pipe system
- ◆ Underfloor heating systems and hot water circulation
- ◆ Circulation of fluids in cooling and air conditioning systems
- ◆ Boiler solar water supply
- ◆ Water mixing system

技术参数 PERFORMANCE

型号 Model	功率 Power (W)	最大流量 Max.Flow (L/min)	最高扬程 Max.Head (m)	接口尺寸 Connection Size (Inch)	泵体材质 Pump Body Material	
					铸铁 Cast iron	铜 Brass
BP20/40-130	22	45	4	1"→¾"	•	•
BP25/40-130				1 ½"→1"	•	•
BP32/40-130				2"→1 ¼"	•	/
BP20/60-130	45	55	6	1"→¾"	•	•
BP25/60-130				1 ½"→1"	•	•
BP32/60-130				2"→1 ¼"	•	/
BP20/70-130	68	60	7	1"→¾"	•	•
BP25/70-130				1 ½"→1"	•	•
BP32/70-130				2"→1 ¼"	•	/
BP25/40-180	22	45	4	1 ½"→1"	•	•
BP32/40-180				2"→1 ¼"	•	/
BP25/60-180				1 ½"→1"	•	•
BP32/60-180	45	55	6	2"→1 ¼"	•	/
BP25/70-180				1 ½"→1"	•	•
BP32/70-180				2"→1 ¼"	•	/
BP25/8	80	70	8	1 ½"→1"	•	/
BP32/8				2"→1 ¼"	•	/
				1 ½"→1"	•	/
BP25/10	100	80	10	2"→1 ¼"	•	/
BP32/10				1 ½"→1"	•	/
BP25/12	120	85	12	2"→1 ¼"	•	
BP32/12				1 ½"→1"	•	/
BP25/14	140	105	14	2"→1 ¼"	•	/
BP32/14						/

注：①“•”代表可生产，“/”代表无法生产
② 所有数据默认为 220V/50Hz
①“•”- Available, “/”- Unavailable
②All parameters under 220V/50Hz

INTELLIGENT BOOSTING ENERGY SAVING

智能增压 节能省电

ZBP 变频恒压□吸泵

ZBP VARIABLE FREQUENCY CONSTANT PRESSURE SELF-PRIMING PUMP

适用场景

- ◆城 ◆ 别墅
- ◆住 供水 压 ◆地热 统和热水 环
- ◆ 统和 调 统里的 体 环

恒压 Constant pressure
高效 Efficient

节能 Energy saving
舒适 Comfortable



APPLICATION

- ◆City apartment
- ◆Villa
- ◆Boosting for home water supply
- ◆Underfloor heating systems and hot water circulation
- ◆Circulation of fluids in cooling and air conditioning systems
- ◆Boiler solar water supply

产品概述 PRODUCT DESCRIPTION

1. 形 级简约国风设计：中国传统 元 的心理产品的设计当中；
2. 拥有更小的 体积，可节 更多的 间；1W的机功 设计，让节 技术得 美呈现；
3. 电机 感驱动技术(FOC), 全实现电机 统 维护；
4. 转子轴采用陶瓷材料，耐磨不生锈，湿转子滑动轴承 结构，保证低噪音、长寿命、免维护水；
5. 配 晶显示的人机界面，操作简单；
6. 配备工业级压力传感；
7. 统 成 止阀结构；
8. 专为 倾心打造的自 恒压 制 统，全实现水压恒。

1. Shape advanced simple national style design: the Chinese traditional cultural elements of the core concept into product design.
2. Have smaller installation volume, can save more installation space. as low as 1W standby power design, so that energy-saving technology can be perfect.
3. Motor Field-Oriented Control (FOC) technology, completely realize zero maintenance of the motor system.
4. The rotor shaft adopts ceramic material, which is wear-resistant and rust-free, and the wet rotor sliding bearing structure ensures low noise, long life and maintenance-free.
5. Equipped with a man-machine interface with LCD display, easy to operate.
6. Equipped with industrial grade pressure sensor.
7. System integrated check valve structure.
8. The constant pressure control system specially designed for the family can fully realize the constant water pressure.

技术参数 PERFORMANCE

型号 Model	功率 Power (W)	最大流量 Max.Flow (m³/h)	最高扬程 Max.Head (m)	额定流量 Rated Flow (m³/h)	额定扬程 Rated Head (m)	吸程 Suction Lift (m)	最高转速 Max. speed (R/min)	接口尺寸 Connection Size (Inch)
ZBP1.5-20	280			1.5	20	4	5800	
	380	3.7	30	1.5			6000	1"
ZBP2-20	500	4.5	33	2	20	4	6200	1"
		4.8	35	2				
ZBP2-30				2	30	4		1"

注：所有数据默认为 220V
All parameters under 220V

INTELLIGENT BOOSTING ENERGY SAVING

智能增压 节能省电



100% 铜线永磁同步电机、低音环保、强劲动力
100% COPPER WIRE PERMANENT MAGNET SYNCHRONOUS MOTOR
LOW NOISE, ENVIRONMENTALLY PERMITTED
STRONG POWER

BP 变频恒压泵 BP VARIABLE FREQUENCY CONSTANT PRESSURE PUMP

恒压 高效 Constant pressure Efficient
节能 舒适 Energy saving Comfortable



适用场景

◆城 ◆ 别墅 ◆住 供水 压 ◆地热 统
和热水 环 ◆ 统和 调 统里的 体 环 ◆
锅 太阳 供水

APPLICATION

- ◆City apartment
- ◆Villa
- ◆Boosting for home water supply
- ◆Underfloor heating systems and hot water circulation
- ◆Circulation of fluids in cooling and air conditioning systems
- ◆Boiler solar water supply

产品概述 PRODUCT DESCRIPTION

1. 统采用稀土永 同 电机，超 ，超 功耗；
2. 1W的 机功 设计，让节 技术得 美呈现；
3. 电机 感驱动技术 (FOC)，全实现电机 统 维护；
4. 转子轴采用不锈钢对焊技术，保证过水 件永不生锈；
5. 配 晶显示的人机界面，操作简单；
6. 配备工业级压力传感；
7. 统 成 止阀结构；
8. 专为 倾心打造的恒压 制 统，全实现水压恒。

1. The system adopts rare earth permanent magnet synchronous motor, ultra-high energy e Efficiency and ultra-low power consumption.
2. Standby power design as low as 1W, so that energy-saving technology can be perfectly presented.
3. Motor Field-Oriented Control (FOC) technology, completely realize zero maintenance of the motor system.
4. The rotor shaft adopts stainless steel butt welding technology to ensure that the water-passing parts will never rust.
5. Equipped with a man-machine interface with LCD display, easy to operate.
6. Equipped with industrial grade pressure sensor.
7. System integrated check valve structure.
8. The constant pressure control system specially designed for the family can fully realize the constant water pressure.

技术参数 PERFORMANCE

型号 Model	功率 Power (W)	最大流量 Max.Flow (m ³ /h)	最高扬程 Max.Head (m)	额定流量 Rated Flow (m ³ /h)	额定扬程 Rated Head (m)	最高转速 Max. speed (R/min)	接口尺寸 Connection Size (Inch)	泵体叶轮材质 Pump Body & Impeller Material
BP2-30	550	4.5	45	2	30	5200	1"	304 不锈钢 SS 304
	800	5.4	50	3	33	5200	1"	304 不锈钢 SS 304

注: 所有数据默认为 220V

All parameters under 220V

BP 变频恒压泵

BP VARIABLE FREQUENCY CONSTANT PRESSURE PUMP

适用场景

- ◆ 别墅
- ◆ 场、名
- ◆ 住 供水 压
- ◆ 地热 统和热水 环
- ◆ 统和 调 统里的 体 环

APPLICATION

- ◆ Villa
- ◆ Shopping malls, celebrities
- ◆ Boosting for home water supply
- ◆ Underfloor heating systems and hot water circulation
- ◆ Circulation of fluids in cooling and air conditioning systems
- ◆ Boiler solar water supply

恒压 Constant pressure
高效 Efficient

节能 Energy saving
舒适 Comfortable



产品概述 PRODUCT DESCRIPTION

1. 结构紧凑：一体成设计，极大的压缩 间；
永 恒压：采用永 变频电机，实现水压恒压 果；
 2. 操作简便：操作界面清 ,简洁 , 需后期调试 , 简单 易用；
便捷： 琐的 骤 , 用；
 3. 电机 感驱动技术(FOC), 全实现电机 统 维护；
 4. 转子轴采用不锈钢对焊技术，保证过水 件永不生锈；
 5. 配 晶显示的人机界面，操作简单；
 6. 配备工业级压力传感；
 7. 统 成 止阀结构。
1. Compact structure: An integrated design, a great compression of installation space.
Permanent magnet constant voltage: using permanent magnet frequency conversion motor to achieve constant pressure effect of water pressure.
 2. Easy operation: clear and concise Operation Interface, no need for late debugging, simple and easy to use.
Easy installation: no cumbersome installation steps, that is, access to use.
 3. Motor Field-Oriented Control (FOC) technology, completely realize zero maintenance of the motor system.
 4. The rotor shaft adopts stainless steel butt welding technology to ensure that the water-passing parts will never rust.
 5. Equipped with industrial grade pressure sensor.
 7. System integrated check valve structure.

技术参数 PERFORMANCE

型号 Model	功率 Power	最大流量 Max.Flow	最高扬程 Max.Head	额定流量 Rated Flow	额定扬程 Rated Head	最高转速 Max. speed	接口尺寸 Connection Size	泵体叶轮材质 Pump Body & Impeller Material
		(m³/h)	(m)	(m³/h)	(m)	(R/min)	(Inch)	
BP6-30	1100	16	50	6	30	4300	1 ½"	304 不锈钢 SS 304
BP8-30	1500	16	55	8	30	4300	1 ½"	304 不锈钢 SS 304
BP12-30	2200	20	60	12	30	4300	2"	304 不锈钢 SS 304

注: 所有数据默认为 220V

All parameters under 220V

INTELLIGENT BOOSTING ENERGY SAVING

智能增压 节能省电



100% 铜线永磁同步电机、低音环保、强劲动力
100% COPPER WIRE PERMANENT MAGNET SYNCHRONOUS MOTOR
LOW NOISE, ENVIRONMENTALLY PERMITTED
STRONG POWER

WG □□□□□

WG AUTOMATIC BOOSTER PUMP



B series



A series

安装指导 INSTALLATION INSTRUCTION

正确的安装方式
Correct installing method
1.水平安装
1.horizontal installing

进水管 input pipe
阀门 valve
出水管 output pipe
管道 接头 水泵 接头

正确的安装方式
Correct installing method
1.垂直安装
1.vertical installing

水泵禁止倒置或倾斜安装，避免水进入电机造成线圈短路损坏电机
Pump inversion and motor incline are forbidden, avoid water entering the motor, causing short circuit and damaging the motor.

技术参数 PERFORMANCE

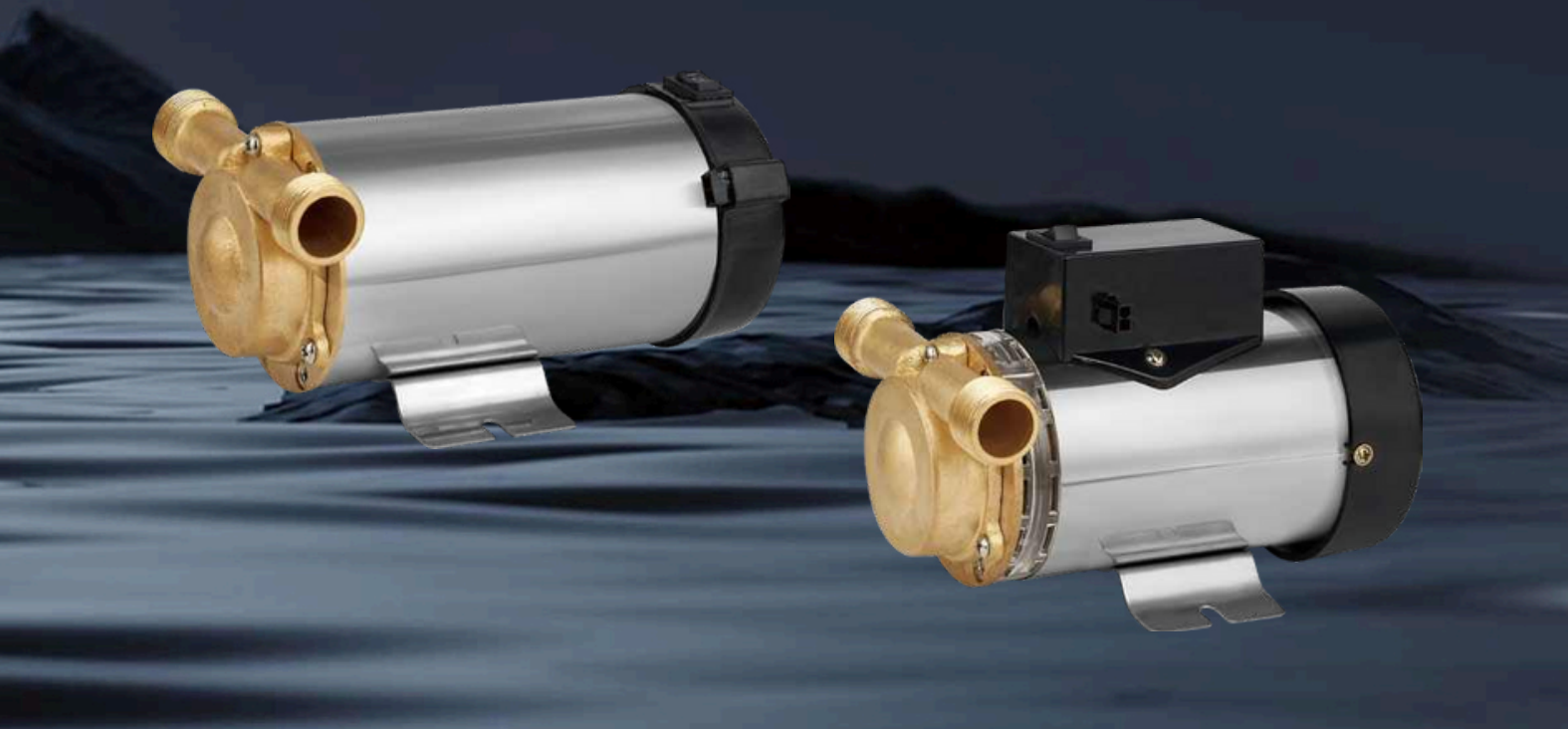
型号 Model	功率 Power (W)	电压 Voltage (V)	频率 Frequency (Hz)	介质温度 Medium Temperature (°C)	接口尺寸 Connection Size (inch)	转速 Speed (r/min)	最高扬程 Max. Head (m)	额定扬程 Rated Head (m)	最大流量 Max. Flow (L/min)	额定流量 Rated Flow (L/min)
W15G-10A W15G-10B W15GR-10A	100	110/220	50/60	40	3/4"→1/2"	2860/3300	10	8	20	10
W15G-15A W15G-15B	100	110/220	50/60	100	3/4"→1/2"	2860/3300	10	8	20	10
W15GR-15A W15GR-15B W20G-15A	150	110/220	50/60	40	3/4"→1/2"	2860/3300	15	10	25	13
	150	110/220	50/60	100	3/4"→1/2"	2860/3300	15	10	25	13
W20G-15B W20GR-15A W20GR-15B	150	110/220	50/60	40	1"→3/4"	2860/3300	15	10	30	15
	150	110/220	50/60	100	1"→3/4"	2860/3300	15	10	30	15
W15G-18A W20G-18A	280	110/220	50/60	40	3/4"→1/2"	2860/3300	18	13	30	15
W15GR-18A W20GR-18A	280	110/220	50/60	40	1"→3/4"	2860/3300	18	13	35	18
	280	110/220	50/60	100	3/4"→1/2"	2860/3300	18	13	30	15
	280	110/220	50/60	100	1"→3/4"	2860/3300	18	13	35	18

注：所有数据默认为 220V/50Hz
All parameters under 220V/50Hz

G—冷水型 GR—冷热水通用
G—Cold water GR—Cold & Hot water

ECO □□□□□

ECO AUTOMATIC BOOSTER PUMP



技术参数 PERFORMANCE

型号 Model	功率 Power (W)	最大流量 Max.Flow (L/min)	最高扬程 Max.Head (m)	额定流量 Rated Flow (L/min)	额定扬程 Rated Head (m)	接口尺寸 Connection Size (Inch)	泵体叶轮材质 Pump Body & Impeller Material
ECO15G-8	90	20	8	8	4	3/4" → 1/2"	铜 Brass
ECO15G-12	120	25	12	10	7		
ECO15GR-10	90	20	10	10	5		
ECO15GR-12	120	25	12	12	7		
ECO15GR-15	260	30	15	13	8		

注: 所有数据默认为 220V/50Hz
All parameters under 220V/50Hz

G—冷水型 GR—冷热水通用
G—Cold water GR—Cold & Hot water